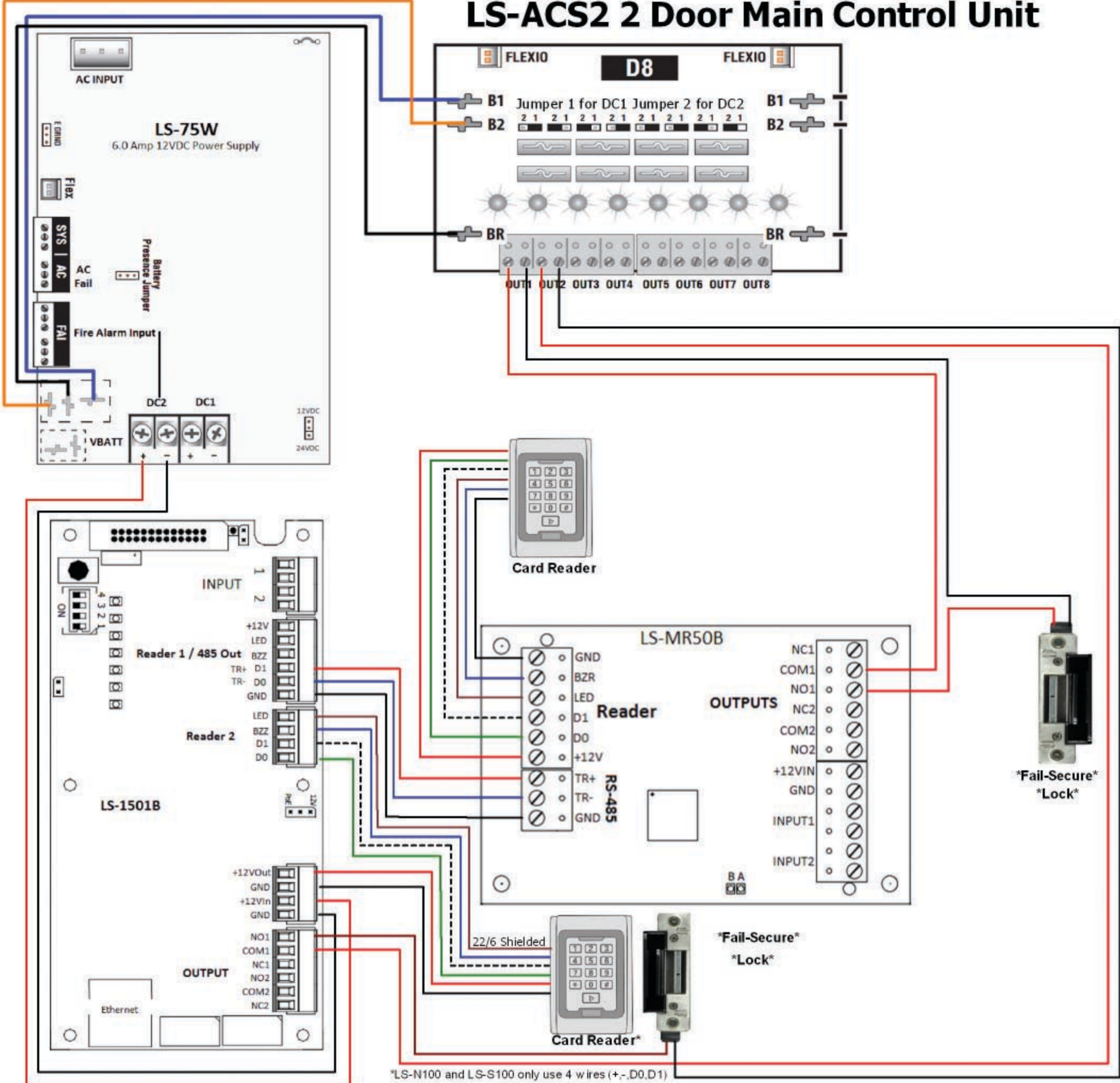


LS-ACS2 2 Door Main Control Unit



*LS-N100 and LS-S100 only use 4 wires (+, -, D0, D1)

1. Use 22/6 shielded cable for card reader
2. Use 18/4 stranded for Fail-Secure locks 18/6 for Fail-Safe locks with in 100'
3. Maximum Reader Cable Length is 250'
4. Use 3 conductor shielded cabled for RS-485
- *5. If wiring fail-safe or Magnetic lock please refer to the fail-safe lock diagram in instructions*
6. Please refer to instructions for wiring information on Fire Alarm Input
7. Power Supply jumper is pre-set to 12VDC power down before changing
8. Inputs 1 - 8 can be REX or DPS assignable in software
9. DC2 is fire alarm controlled voltage output
10. DC1 is constant voltage output
11. D8P comes prewired to power supply board outputs

LockState
1325 S. Colorado Blvd Suite 400
Denver, CO 80222

Technical Support: 888-478-7225

