

MODEL SREX-100

ACTIVE FOCUSED INFRARED



- UL 294 ULC-S319 listed as an access control device
- Narrow activation zone is limited to the door handle area
- Designed to eliminate cross traffic activation
- Cannot be deceived by placing objects under the door
- Easy installation and adjustable depth zone
- Operates on 12 or 24 volts AC or DC auto sensing
- Maximum current draw is 155mA sounder off, 200mA sounder on
- Temperature range for UL installations is +32°F to +120°F, (0°C to +49°C)
- Double pole – double throw contacts (2 form C)
- Relay contact rating is 1.3A @ 30 volts DC or 24 volts AC
- Adjustable time delay from one to sixty seconds
- Built-in buzzer can be silenced if required
- REX input, keypad or card reader input and door position switch input
- 14 pin female connector with four feet of cable
- Three year warranty



Alarm Controls
19 Brandywine Drive
Deer Park, New York 11729
(800) 645-5538
www.alarmcontrols.com

ASSA ABLOY, the global leader
in door opening solutions

FEATURES	ALARM CONTROLS SREX-100	BOSCH DS160	KANTECH T.REX-XL2
IMMUNE TO OBJECTS PLACED UNDER DOOR	YES	NO	NO
TECHNOLOGY	ACTIVE FOCUSED INFRARED	PASSIVE DIFFUSED INFRARED	PASSIVE DIFFUSED INFRARED
PARALLEL TRAFFIC REJECTION	YES	NO	NO
EASY DETECTION ZONE ADJUSTMENT	YES POTENTIOMETER TUNING	NO PLASTIC WEDGE PLACEMENT	NO LOUVER DIRECTION SCREWS
ELECTRIC SPIKE PROTECTION	YES PROVIDED IN SENSOR	NO MUST PROVIDE YOUR OWN	YES PROVIDED IN SENSOR
2 AMP. RELAY CONTACTS	YES S.P.D.T. 2 AMP. CONTACTS	NO S.P.D.T. 1 AMP. CONTACTS	NO S.P.D.T. 1 AMP. CONTACTS
FULLY ADJUSTABLE RELAY HOLD TIME	YES POTENTIOMETER 0 TO 60 SEC.	NO PRESET TIME SETTINGS	NO JUMPER SETTINGS
WIRE HARNESS SUPPLIED	YES	NO	NO
SIMPLE FEATURE SELECTION	YES DIP SWITCHES FOR EACH FEATURE	NO COMBINATION OF OF DIP SWITCHES	YES LIMITED FEATURES
REQUEST TO EXIT INPUT	YES	NO	NO
RELAY MODE FAIL-SAFE/FAIL-SECURE	YES	YES	NO
SOUNDER	YES ADJUSTABLE VOLUME	YES ADJUSTABLE VOLUME	YES NO ADJUSTABLE VOLUME
CARD OR KEYPAD INPUT	YES	YES	NO
CARD SOUNDER ENABLE	YES	YES	NO

ACTIVE INFRARED REQUEST TO EXIT SENSOR

MODEL SREX-100 OPERATING INSTRUCTIONS



ASSA ABLOY

DEER PARK, NY 11729
WWW.ALARMCONTROLS.COM

The global leader in
door opening solutions

The SREX-100 is an active infrared request to exit sensor for interior applications located within the protected premise. It is U.L. listed as a request to exit device under the U.L. UL294 and the CAN/ULC-S319 standard. The SREX-100 is rated a "class 1" as per the CAN/ULC-S319 standard. The SREX-100 is designed to mount over the door header so that its detection pattern is placed directly over the door handle. When the user reaches for the door handle the exit device releases allowing the person to exit. The active detection curtain is well defined to keep the door secure while rejecting parallel traffic and objects placed under it.

SPECIFICATION

- OPERATING VOLTAGE: 12 OR 24 VOLTS AC/DC, AUTO VOLTAGE SELECTION
- CURRENT DRAW: 155 MA., (SOUNDER OFF), 200 MA., (SOUNDER MAXIMUM VOLUME)
- RELAY CONTACT RATING: 1.3 A. @ 30 VOLTS DC OR 24 VOLTS AC
- RELAY CONTACT ARRANGEMENT: DOUBLE POLE-DOUBLE THROW, (2 FORM C)
- TEMPERATURE: FOR U.L. LISTED INSTALLATIONS +32 F TO +120 F, (0 C TO +49C)
- HUMIDITY: 0% TO 93% NON-CONDENSING FOR ULC-S319 INSTALLATIONS, 0% TO 85% NON-CONDENSING FOR UL-294 LISTED INSTALLATIONS.
- REQUEST TO EXIT INPUT: NORMALLY-OPEN DRY CONTACTS
- KEYPAD OR CARD READER INPUT: NORMALLY-CLOSED DRY CONTACTS
- DOOR POSITION SWITCH INPUT: NORMALLY-OPEN DRY CONTACTS
- SIZE: 6.875" L (174.63mm) x 1.875" H (47.63mm) x 2" W (51mm)
- MATERIAL: BLACK ANODIZED ALUMINUM AND ABS PLASTIC
- WIRING INTERFACE: 14 PIN CONNECTOR WITH 4 FEET OF CABLE
- CERTIFICATIONS: UL/CUL 294/S319, FCC PART B
- THE SREX-100 HAS A THREE YEAR WARRANTY

NOTE:

FOR U.L. LISTED INSTALLATIONS THE SREX-100 SHOULD ONLY BE POWERED BY A U.L. 294 LISTED POWER SUPPLY, AS WELL AS CONNECTED TO A U.L. LISTED ELECTRICAL LOCKING (EL) DEVICE. FOR CAN/ULC-S319 LISTED INSTALLATIONS THE SREX-100 SHOULD ONLY BE POWERED BY A ULC--S319 LISTED POWER SUPPLY AS WELL AS CONNECTED TO A ULC-S319 LISTED ELECTRICAL LOCKING (EL) DEVICE, CARD READER/KEYPAD AND DOOR/REX SWITCHES.

THE USE OF ANY ADD-ON, EXPANSION, MEMORY OR OTHER MODULE MANUFACTURED OR SUPPLIED BY THE MANUFACTURER'S REPRESENTATIVE WILL INVALIDATE THE CAN/ULC-S319 CERTIFICATION.

WHEN USED WITH ELECTRIC STRIKES ON SUPERVISED PORTALS, REQUEST-TO-EXIT DEVICES SHALL BY-PASS PORTAL ALERTS CAUSED BY EXITING. WHEN USED WITH ELECTROMAGNETIC LOCKS ON SUPERVISED PORTALS, REQUEST-TO-EXIT DEVICES SHALL SIGNAL THE ACCESS CONTROL UNIT TO RELEASE THE ELECTROMAGNETIC LOCKS AS WELL AS TO BYPASS PORTAL ALERTS CAUSED BY EXITING.

TERMINAL AND LEADS COMPLY WITH CSA, C22.1, CANADIAN ELECTRICAL CODE, PART I, SAFETY STANDARD FOR ELECTRICAL INSTALLATIONS.

FOR U.L. 294 AND NFPA 101 SECTIONS 7.2.6.2.1 WIRE THE LOCKING DEVICE FOR FAIL-SAFE OPERATION.

CAN/ULC-S319 LIMITS THE RATED OUTPUT OF THE AUDIBLE SIGNAL DEVICE, (STATED AS A SOUND PRESSURE LEVEL), (SPL), FROM 70 dBA TO A MAXIMUM OF 100 dBA AT 1 METER. UL-294 LIMITS THE RATED OUTPUT OF THE AUDIBLE SIGNAL TO A MINIMUM OF 85 dBA AT 10 FEET.

THIS DEVICE COMPLIES WITH PART 15 OF THE FCC RULES. OPERATION IS SUBJECT TO THE FOLLOWING TWO CONDITIONS: (1) THIS DEVICE MAY NOT CAUSE HARMFUL INTERFERENCE, AND (2) THIS DEVICE MUST ACCEPT ANY INTERFERENCE RECEIVED THAT MAY CAUSE UNDESIRED OPERATION.

IF TECHNICAL ASSISTANCE IS REQUIRED CALL 1 800 645-5538

LED INDICATORS

GREEN	Power ON and no detection.
RED	Object in detection zone or input activated. Hand in detection zone or request to exit input activated..
YELLOW	Relay active.
FLASHING YELLOW	When sensor is or any of the enabled inputs are in constant detection for more than 10 seconds sensor will return to normal

BUZZER SOUNDS

When DIP SW 5 is in the ON position the buzzer will be enabled.

BUZZER BEEPING Sensor is blocked for more than 10 seconds.

BUZZER ON STEADY DIP SW 2 is in timer mode, (Off). If the sensor is activated or the REX input is closed or the card reader/keypad input is

COMPLETING THE INSTALLATION

STEP 1. Make sure that the sensor releases the locking device.

STEP 2. Test the detection height of the sensor.

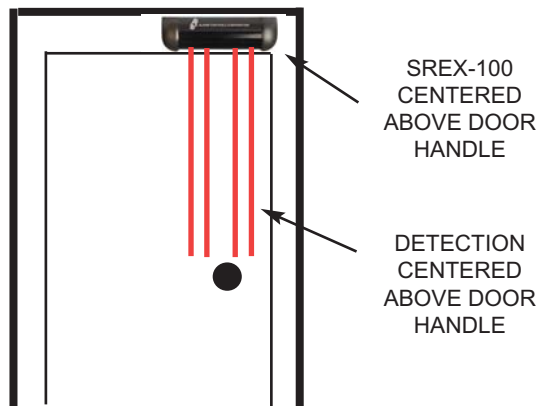
STEP 3.. Test the detection zone parallel to the door and in front of the door handle.

STEP 4. Snap the PCB into the housing. The top of the PCB goes into the

TROUBLE SHOOTING THE INSTALLATION

If the SREX-100 is detecting erratically the sensor beams are reflecting off the handle. Adjust the angle of the sensor so the IR beams are in front of the handle.

TYPICAL DOOR INSTALLATION



CABLE COLOR CODE

CABLE WIRE COLOR	FUNCTION
RED	12 OR 24 VAC/DC, AUTO SENSING
BLACK	12 OR 24 VAC/DC, AUTO SENSING
WHITE/BLACK STRIPE	COMMON CONTACT RELAY A
GREEN/BLACK STRIPE	N/O CONTACT RELAY A
YELLOW/BLACK STRIPE	N/C CONTACT RELAY A
WHITE	COMMON CONTACT RELAY B
GREEN	N/O CONTACT RELAY B
YELLOW	N/C CONTACT RELAY B
BLUE	CARD READER/KEYPAD INPUT
BLUE/WHITE STRIPE	CARD READER/KEYPAD INPUT
ORANGE	REQUEST TO EXIT N/O INPUT
ORANGE/WHITE STRIPE	REQUEST TO EXIT N/O INPUT
BROWN	N/C DOOR POSITION SWITCH
BROWN/WHITE STRIPE	N/C DOOR POSITION SWITCH

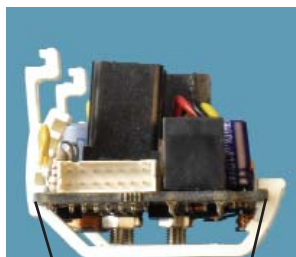
NOTE: The SREX-100 contains a double pole-double throw relay and the two sets of relay contacts are referred to as A and B.

The Card Reader/Keypad and the Door Position Switch are dry inputs.

ADJUSTMENT OF SENSOR FIELD

The SREX-100 is factory pre-set at the five degree angle. If there is an obstruction in the sensor field preventing a clear view of the door handle it will be necessary to change the viewing angle. Un-plug the connector and slide the PCB from the housing with the clips attached. Do not remove the clips from the PCB! Change the viewing angle to the zero degree angle. It is recommended that the sensor be powered and both hand and walk tested. If the sensor is detecting erratically, the IR beams may be reflecting off the door handle and the viewing angle should be adjusted outward. Slide the PCB back into the housing and leave the right end cap off until all final adjustments have been made.

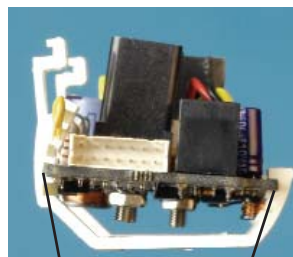
ZERO DEGREES



NOTCH
1

DO NOT
CHANGE
THIS SIDE

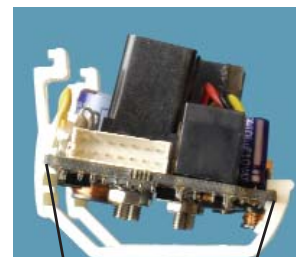
FIVE DEGREES



NOTCH
2

DO NOT
CHANGE
THIS SIDE

TEN DEGREES



NOTCH
3

DO NOT
CHANGE
THIS SIDE

ADJUSTMENT OF SENSOR

After the SREX-100 has been wired and powered the sensor can now be adjusted to the installation requirements.

DETECTION RANGE

The detection distance is adjusted by the RNG, (range), potentiometer located at the upper left hand side of the PCB. The range is 20 to 48 inches.

Turning the potentiometer clockwise increases the range, turning the potentiometer counterclockwise decreases the range.

RELAY ON TIME

The relay on time is adjusted by the TIME potentiometer which is the center potentiometer located at the upper left hand side of the PCB. The relay on time range is 1/2 to 60 seconds. The Time potentiometer is non-linear with the first 10 seconds covered by the first half of the potentiometer and 11 to 60 seconds covered by the second half of the potentiometer. Turning the potentiometer clockwise increases the relay on time, turning the potentiometer counterclockwise decreases the relay on time.

BUZZER VOLUME

The buzzer volume is controlled by the VOL potentiometer located at the upper right hand side of the PCB. Turning the potentiometer clockwise increases the buzzer volume, turning the potentiometer counterclockwise decreases the buzzer volume.

DIP SWITCH SETTINGS

SWITCH 1 ON FAIL-SAFE MODE

SWITCH 1 OFF FAIL-SECURE MODE

When the SREX-100 is in constant detection, more than 10 seconds, It will go into a fail-safe or fail-secure mode depending upon the switch setting.

SWITCH 2 ON RELOCK MODE, DOOR POSITION

When a normally-closed door contact is installed the door will relock after the door is opened and then closed.

SWITCH 2 OFF TIMER MODE

The door will relock after the preset relay on time.

SWITCH 3 ON DOOR POSITION RELOCK TIME IS A FIXED 10 SECONDS

SWITCH 3 OFF DOOR POSITION RELOCK TIME IS A FIXED 30 SECONDS

SWITCH 4 ON DOOR UNLOCK TIMER

If switch 2 is in the off position,(timer mode), then door will remain unlocked as long as there is activity in the detection range. If there is no activity then the timer will restart and relock the door after the preset time.

SWITCH 5 ON BUZZER ENABLED, **THE BUZZER IS NOT INTENDED TO BE A BURGLARY ALARM**

SWITCH 5 OFF BUZZER DISABLED

SWITCH 6 ON CARD READER OR KEYPAD INPUT IS ENABLED

SWITCH 6 OFF CARD READER OR KEYPAD INPUT IS DISABLED

SWITCH 7 ON BUZZER SOUNDS WHEN N/C CARD READER INPUT IS OPEN

SWITCH 7 OFF BUZZER DOES NOT SOUND WHEN N/C CARD READER INPUT IS CLOSED

SWITCH 8 NOT USED.

SREX-100 INSTALLATION



NOTE: The SREX-100 and devices connected to it must be mounted inside the protected area to be UL-294 and ULC-S319 compliant.

STEP 1. Remove the Phillips head screw holding the right end cap. Take off the right end cap only.

STEP 2. Slide the lens out of the housing.

STEP 3. Slide the PCB with clips attached from the housing. Do not remove clips.

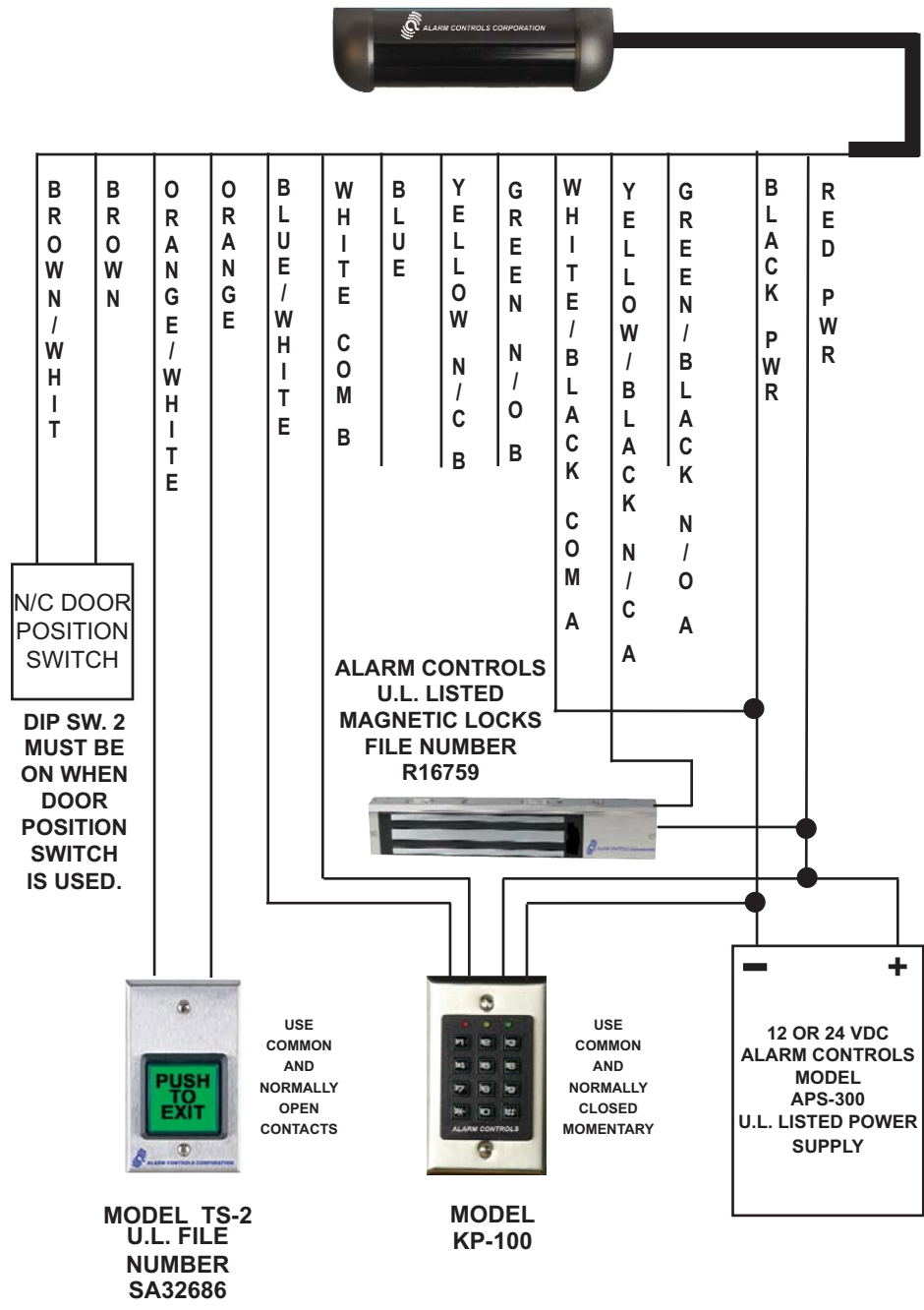
STEP 4. Position the SREX-100 drill template on door frame or above door frame over door handle.

STEP 5. A 5/16" diameter hole is required in door frame or mounting surface to allow cable entry. This hole is located at the right side of the housing thru the elongated hole.

STEP 6. Fasten the SREX-100 housing with the two TEC screws provided. It may be necessary to drill a 1/8" pilot hole for ease of screw installation.

CAUTION: ESD electrostatic discharge: The circuit board is vulnerable to damage by electrostatic discharge. Before handling PCB dissipate your body's charge.

TYPICAL INSTALLATION WIRING



NOTE: THE THREE INPUTS TO THE SREX-100 MUST BE USED AS A DRY INPUT WITH NO VOLTAGE APPLIED FROM THE CARD READER, DOOR POSITION SWITCH OR THE REQUEST TO EXIT STATION.

***YOUR SOURCE FOR QUALITY
SECURITY EQUIPMENT***

MAGNETIC LOCKS

POWER SUPPLIES

REQUEST TO EXIT STATIONS

DIGITAL KEYPADS

PUSHBUTTON CONTROL STATIONS

PNEUMATIC TIME DELAY STATIONS

VANDAL RESISTANT PUSH PLATES

MORTISE CYLINDER STATIONS

EXPLOSION-PROOF STATIONS

VANDAL RESISTANT STATIONS

EIGHT ZONE ANNUNCIATORS

CUSTOM GRAPHIC ANNUNCIATORS

PUSH BARS

RELAYS



ASSA ABLOY

**DEER PARK, NY 11729
WWW.ALARMCONTROLS.COM**

**The global leader in
door opening solutions**

LIMITED WARRANTY

ALARM CONTROLS CORPORATION ("seller"), 19 BRANDYWINE DRIVE, DEER PARK, NY 11729, warrants its SREX-100 active focused infrared detector, (the "product"), to be free from defects in material and workmanship for three years from date of original purchase, under normal use and service. Seller's obligation is limited to repairing or replacing, at its option, free of charge for parts, labor, or transportation, any part proven to be defective in material or workmanship under normal use and service. Seller shall have no obligation under this warranty or otherwise if the product is altered or improperly repaired or serviced by anyone other than the Seller. In case of defect, contact the security professional who installed and maintains your security system or the Seller for product repair.

This limited warranty is in lieu of all other express warranties, obligations or liabilities. THERE ARE NO EXPRESS WARRANTIES WHICH EXTEND BEYOND THE FACE HEREOF. ALL IMPLIED WARRANTIES, OBLIGATIONS OR LIABILITIES MADE BY SELLER IN CONNECTION WITH THIS PRODUCT, INCLUDING ANY IMPLIED WARRANTY OF MERCHANTABILITY, OR FITNESS FOR A PARTICULAR PURPOSE OR OTHERWISE, ARE LIMITED IN DURATION TO A PERIOD OF ONE YEAR FROM THE DATE OF ORIGINAL PURCHASE WITH THE EXCEPTION OF MAGNETIC LOCKS WHICH HAVE A LIMITED LIFETIME WARRANTY. ANY ACTION FOR BREACH OF ANY WARRANTY, INCLUDING BUT NOT LIMITED TO ANY IMPLIED WARRANTY OF MERCHANTABILITY, MUST BE BROUGHT WITHIN 18 MONTHS FROM DATE OF ORIGINAL PURCHASE. IN NO CASE SHALL SELLER BE LIABLE TO ANYONE FOR ANY CONSEQUENTIAL OR INCIDENTAL DAMAGES FOR BREACH OF THIS OR ANY OTHER WARRANTY, EXPRESS OR IMPLIED, OR UPON ANY OTHER BASIS OF LIABILITY WHATSOEVER, EVEN IF THE LOSS OR DAMAGE IS CAUSED BY THE SELLER'S OWN NEGLIGENCE OR FAULT. Some states do not allow limitations on how long an implied warranty lasts or the exclusion or limitation of incidental or consequential damages, so the above limitation or exclusion may not apply to you.

Seller does not represent that the product may not be compromised or circumvented; that the product will prevent any personal injury or property loss by burglary, robbery, fire or otherwise; or that the product will in all cases provide adequate warning or protection. Buyer understands that a properly installed and maintained security system may only reduce the risk of a burglary, robbery or fire occurring without providing an alarm, but it is not insurance or a guarantee that such will not occur or that there will be no personal injury or property loss as a result. CONSEQUENTLY, SELLER SHALL HAVE NO LIABILITY FOR ANY PERSONAL INJURY, PROPERTY DAMAGE OR OTHER LOSS BASED ON A CLAIM THE PRODUCT FAILED TO GIVE WARNING. However, if Seller is held liable, whether directly or indirectly, for any loss or damage arising under this Limited Warranty or otherwise, regardless of cause or origin, Seller's maximum liability shall be the complete and exclusive remedy against Seller. This warranty gives you specific legal rights, and you may also have other rights which vary from state to state. No increase or alteration, written or verbal, to this warranty is authorized,